

Eco-friendly non-fluorocarbon refrigerant is used.
Space-saving storage of refrigerated and frozen products is possible.



Standard equipment

Locking device



Individual key for each unit is used.

Casters



Four swivel casters make carry-in and relocation easy.

Shelves

(FMS-F155GSX/F305GX)



FMS-F155GSX (one shelf)
FMS-F305GX (two shelves)
Freezer racks are installed as standard equipment.

Freezer baskets

(FMS-F405GX)



FMS-F405GX
Freezer
Four baskets
Four rack plates

FMS-F155GSX

Refrigerator 173L

Freezer 62L

FMS-F305GX

Refrigerator 315L

Freezer 113L

FMS-F405GX

Refrigerator 432L

Freezer 176L



FMS-F155GSX
When the doors are opened



FMS-F305GX
When the doors are opened

Option

Light shield film

Shields ultraviolet and other light from the outside. Can be used for medicines that need to be stored in a cool and dark place.



Glassless



※ No additional cost is required.

Safety box

Large-size type
Outside dimensions:
W305×D214×H363mm
Weight:5.1kg



Small-size type
Outside dimensions:
W255×D150×H215mm
Weight:3.0kg

※ Mounting brackets are separately required.

Thermo recorder

The history of inner temperature can be automatically recorded.
※ Comes with one year's worth of recording paper (12 pieces).



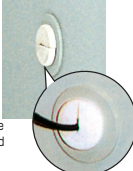
Recording range
Refrigerator: -10 to +44°C (recording accuracy ±2°C)
Freezer: -40 to +14°C (recording accuracy ±2°C)

Mini-thermometer Data logger



Measurement holes

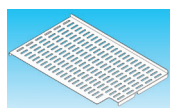
The holes prevent a leakage of cold air when a sensor is inserted.



※ The installation place cannot be designated in freezer.

Punched plates

Optimal for putting small bottles.



Shelf

Refrigerator
FMS - F155GSX
F305GX
F405GX
Freezer
FMS - F155GSX
F305GX

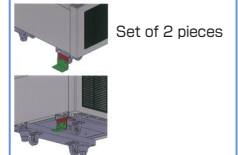
Alarm contact

Cooling pillow storage racks

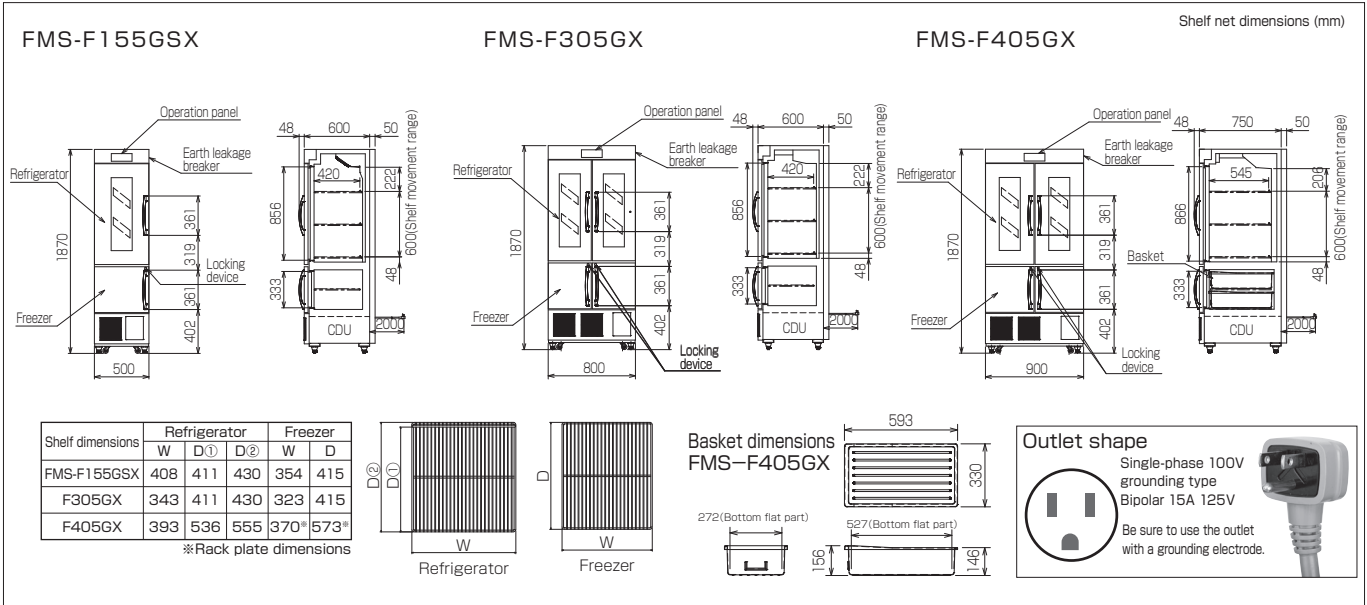
- For FMS-F155GSX
Can store up to 10 cooling pillows.
 - For FMS-F305GX
Can store up to 20 cooling pillows.
- ※ Cooling pillows are optional.



Floor fixing bracket



Specifications



Model name	FMS-F155GSX	FMS-F305GX	FMS-F405GX		
Size	Outer shape (mm) (width × depth × height) 500×600(698)×1870	800×600(698)×1870	900×750(848)×1870		
Effective inner capacity (L)	(Refrigerator) 173 (Freezer) 62	(Refrigerator) 315 (Freezer) 113	(Refrigerator) 432 (Freezer) 176		
Product weight (kg)	95	132	145		
Material	Exterior	Coated steel plate			
	Interior	Coated steel plate, collar steel plate			
	Door	Surface: coated steel plate, rear face: coated steel plate Special double glass Magnet type 2 doors (one glass door for refrigerator)	Surface: coated steel plate, rear face: coated steel plate Special double glass Magnet type 4 doors (two glass doors for refrigerator)		
	Insulator	Hard polyurethane integrated foam			
Cooling capability (no load, ambient temperature 30°C)	(Refrigerator) 2~14°C (Freezer) -30~-20°C				
Cooling system	Compressor nominal output	350W	(Refrigerator) 90W (Freezer) 250W		
	Refrigerant control method	Capillary tube			
	Condenser	Microchannel forced air cooling type			
	Cooler	(Refrigerator) Forced ventilation type finned tube type (Freezer) Pipe on sheet type			
	Refrigerant	R1234yf			
Power	Temperature control	Microcomputer control digital temperature indication			
	Defrosting method	(Refrigerator) Automatic detection type cycle defrost (Freezer) Off cycle defrost (manual type)			
	Applicable breaker	Single-phase 100V 15A 50/60Hz			
	Applicable outlet	Grounding type Bipolar 15A 125V			
	Allowable voltage range (V)	90~110			
Electric properties	Cooling time (50/60Hz)	Operating current (A)	3.7/2.4	4.4/3.6	4.5/3.7
		Starting current (A)	28/29	21/21	21/21
		Power consumption (W)	235/240	330/335	340/340
	Heater operating time (50/60Hz)	Power factor (%)	63/92	74/92	73/91
		Operating current (A)	3.5/2.1	2.7/2.1	2.7/2.1
Power consumption (W)	200/190	210/210	210/210		
Using ambient environment	-5~35°C 80% RH or lower				
Radiation amount (50/60Hz)	946/1105W	601/704W			
Accessories	Refrigerator: 3 racks, freezer: 1 rack, key, one defrosting spatula	Refrigerator: 6 racks, freezer: 2 racks, key, one defrosting spatula	Refrigerator: 6 racks, freezer: 4 rack plates, 4 baskets, key, one defrosting spatula		
Alarm contents	High temperature, cold temperature, and door opening warning, filter inspection sign, etc.				

GALILEI

Be cool, Be alive.



FUKUSHIMA GALILEI CO.LTD.

Safety precautions

- The products shown in this leaflet are for indoor use. Please use and store the products in places not exposed to rainwater.
- Read the "instruction manual" carefully before correct use of the product.
- Specifications and appearances are subject to change without notice for reform.
- The colors of products in this leaflet may be slightly different from the actual products due to print conditions.
- We have copyrights of all the contents in this leaflet. Unauthorized reproduction is strictly prohibited.
- "Precautions for use" label is affixed to products.
- Download the catalogs and specifications from:
URL <https://www.galilei.co.jp>

For inquiries about and ordering products made by Fukushima GALILEI Co, Ltd.

Head Office (Osaka)	Tel:81-6-6477-2011	2-6-18, Takeshima, Nishi Yodogawa-ku, Osaka, Japan
Higashi Nihon Office (Tokyo)	Tel:81-3-6361-1956	2-1-3, Bakuro-chou, Nihonbashi, Tokyo, Japan
FUKUSHIMA GALILEI (H.K.) CO., LTD.	Tel:852-2885-5679	Unit 903, 9/F, Westlands Centre, 20 Westlands Road, Quarry Bay, Hong Kong
FUKUSHIMA GALILEI SINGAPORE PTELTD.	Tel:65-6271-0460	1003 Bukit Merah Central #02-06 Singapore 159836
FUKUSHIMA GALILEI MALAYSIA SONBHD.	Tel:60-3-2181-1034	Lot 6.01, 6th Floor Wisma Central Box17 Jalan Ampang 50450 Kuala Lumpur, Malaysia
FUKUSHIMA GALILEI (THAILAND)CO.LTD.	Tel:66-2-2583-690	16 Asoke Court Gnd Fl., Room 2G, Sukhumvit 21 (Asoke) Rd. Klongtoey-Nua, Wattana, Bangkok 10110
FUKUSHIMA GALILEI VIETNAM CO.LTD	Tel:84-28-3933-3628	Floor 9, PVC Sai Gon, 11Bis Nguyen Gia Thieu, Ward 6, District 3, HCMC, Vietnam
FUKUSHIMA GALILEI VIETNAM CO.LTD (HANOI BRANCH)	Tel:84-24-3755-6000	8F TID Centre Building, 4 Lieu Giai Street, Cong Vi Ward, Ba Dinh District, Hanoi Vietnam.
FUKUSHIMA GALILEI (SHANGHAI) CO.LTD.	Tel:86-21-6248-1512	Room A316,3th floor, No.658 Jinzhong Road, Changning District, Shanghai 200335
FUKUSHIMA GALILEI TAIWAN CO., LTD.	Tel:886-2-2521-9810	Rm. 5, 12F, No.112, Sec. 2, Zhongshan N. Rd., Zhongshan Dist., Taipei City 10449, Taiwan (R.O.C.)
FUKUSHIMA GALILEI MYANMAR CO.LTD.		No.(262), 12th Street Ngwe Yar Yan 3 Quarter South Okkalapa Township, Yangon, Myanmar
GALILEI(THAILAND)CO.,LTD.	Tel:66-22-583-690	60/105 Moo 3, Mabyangorn Sub-District, Pluakdaeng District, Rayong 21140, Thailand
FUKUSHIMA GALILEI CAMBODIA CO.LTD.	Tel:855-92-407-957	Executive Room#2-E6, The iCON Professional Building, 216 Norodom Boulevard, Tonle Bassac, Chamkarmorn, Phnom Penh, Cambodia.
PT. FUKUSHIMA GALILEI INDONESIA	Tel:62-21-2709-5619	Ruko Wisteria 1 Lt.2 Jl. Panglima Polim No. 7A, MelawaiKec. Kebayoran Baru, Jakarta Selatan 12160, Indonesia
FUKUSHIMA GALILEI PHILIPPINE CORPORATION	Tel:63-917-679-0003	Unit 1715 One Park Drive 11th drive corner 9th Avenue, Bonifacio Global City Taguig City, Philippine



contact us

Description contents of this leaflet are as of December 2023. (2312-00) G

Leaflet No.

MDC-220